

2.3

Molded Case Circuit Breakers

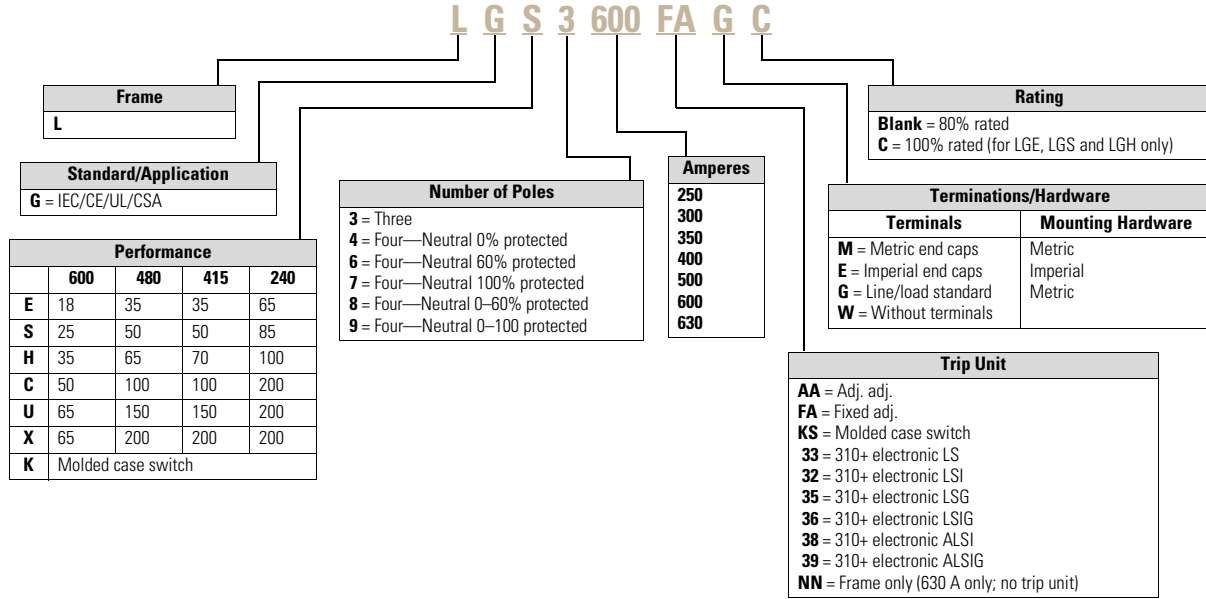
Series G

Catalog Number Selection

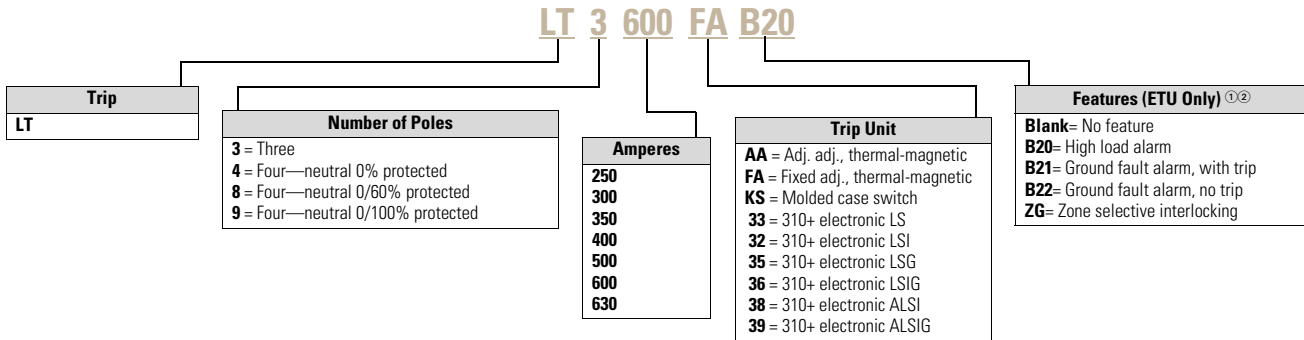
This information is presented only as an aid to understanding catalog numbers. It is not to be used to build catalog numbers for circuit breakers or trip units.

2

Series G—LG-Frame (250–630 Amperes)



Trip Unit



Notes

- ① Bxx features cannot be combined with other Bxx features.
- ② B21 and B22 available with LSG and LSIG trip units.

Product Selection

Complete Breaker (Includes Frame, Trip Unit, Standard Terminals and Mounting Hardware)

LG-Frame


LG-Frame—630 Amperes (600 Amperes UL, CSA)
 IC Rating: 35 kAIC at 415 and 480 Vac ^①

| Ampere Rating | Three-Pole ^② | | Four-Pole (0%) ^③ | |
|------------------|--|---|--|---|
| | Fixed Thermal, Adjustable Magnetic Catalog Number | Adjustable Thermal, Adjustable Magnetic ^{④⑤} Catalog Number | Fixed Thermal, Adjustable Magnetic Catalog Number | Adjustable Thermal, Adjustable Magnetic ^{④⑤} Catalog Number |
| 250 | LGE3250FAG | LGE3250AAG | LGE4250FAG | LGE4250AAG |
| 300 | LGE3300FAG | — | LGE4300FAG | — |
| 320 | — | LGE3320AAG | — | LGE4320AAG |
| 350 | LGE3350FAG | — | LGE4350FAG | — |
| 400 | LGE3400FAG | LGE3400AAG | LGE4400FAG | LGE4400AAG |
| 500 | LGE3500FAG | LGE3500AAG | LGE4500FAG | LGE4500AAG |
| 600 | LGE3600FAG | — | LGE4600FAG | — |
| 630 ^④ | — | LGE3630AAG | — | LGE4630AAG |

LG-Frame


LG-Frame—630 Amperes (600 Amperes UL, CSA)
 IC Rating: 50 kAIC at 415 and 480 Vac ^①

| Ampere Rating | Three-Pole ^② | | Four-Pole (0%) ^③ | |
|------------------|--|---|--|---|
| | Fixed Thermal, Adjustable Magnetic Catalog Number | Adjustable Thermal, Adjustable Magnetic ^{④⑤} Catalog Number | Fixed Thermal, Adjustable Magnetic Catalog Number | Adjustable Thermal, Adjustable Magnetic ^{④⑤} Catalog Number |
| 250 | LGS3250FAG | LGS3250AAG | LGS4250FAG | LGS4250AAG |
| 300 | LGS3300FAG | — | LGS4300FAG | — |
| 320 | — | LGS3320AAG | — | LGS4320AAG |
| 350 | LGS3350FAG | — | LGS4350FAG | — |
| 400 | LGS3400FAG | LGS3400AAG | LGS4400FAG | LGS4400AAG |
| 500 | LGS3500FAG | LGS3500AAG | LGS4500FAG | LGS4500AAG |
| 600 | LGS3600FAG | — | LGS4600FAG | — |
| 630 ^④ | — | LGS3630AAG | — | LGS4630AAG |

LG-Frame


LG-Frame—630 Amperes (600 Amperes UL, CSA)
 IC Rating: 70 kAIC at 415, 65 kAIC at 480 Vac ^①

| Ampere Rating | Three-Pole ^② | | Four-Pole (0%) ^③ | |
|------------------|--|---|--|---|
| | Fixed Thermal, Adjustable Magnetic Catalog Number | Adjustable Thermal, Adjustable Magnetic ^{④⑤} Catalog Number | Fixed Thermal, Adjustable Magnetic Catalog Number | Adjustable Thermal, Adjustable Magnetic ^{④⑤} Catalog Number |
| 250 | LGH3250FAG | LGH3250AAG | LGH4250FAG | LGH4250AAG |
| 300 | LGH3300FAG | — | LGH4300FAG | — |
| 320 | — | LGH3320AAG | — | LGH4320AAG |
| 350 | LGH3350FAG | — | LGH4350FAG | — |
| 400 | LGH3400FAG | LGH3400AAG | LGH4400FAG | LGH4400AAG |
| 500 | LGH3500FAG | LGH3500AAG | LGH4500FAG | LGH4500AAG |
| 600 | LGH3600FAG | — | LGH4600FAG | — |
| 630 ^④ | — | LGH3630AAG | — | LGH4630AAG |

Notes

- ① Replace suffix "G" with "W" for no line and load terminals.
- ② For two-pole applications, use two outer poles.
- ③ Neutral protection is indicated by the fourth character: 4 = 0%, 7 = 100%, 8 = adjustable 0–60% and 9 = 0–100%. Neutral is on LH side.
- ④ 320/630 amperes is not a UL or CSA listed rating. 600 amperes is the maximum UL and CSA rating for the LG.
- ⑤ Adjustable thermal units are typically used in IEC markets and are not UL or CSA listed.

2.3

Molded Case Circuit Breakers

Series G

Complete Breaker (Includes Frame, Trip Unit, Standard Terminals and Mounting Hardware)

2

LG-Frame



LG-Frame—630 Amperes (600 Amperes UL, CSA), Current Limiting Per UL 489
IC Rating: 100 kAIC at 415 and 480 Vac ①

| Ampere Rating | Three-Pole ② | | Four-Pole (0%) ③ | |
|---------------|--|--|--|--|
| | Fixed Thermal, Adjustable Magnetic Catalog Number | Adjustable Thermal, Adjustable Magnetic ④⑤ Catalog Number | Fixed Thermal, Adjustable Magnetic Catalog Number | Adjustable Thermal, Adjustable Magnetic ④⑤ Catalog Number |
| 250 | LGC3250FAG | LGC3250AAG | LGC4250FAG | LGC4250AAG |
| 300 | LGC3300FAG | — | LGC4300FAG | — |
| 320 | — | LGC3320AAG | — | LGC4320AAG |
| 350 | LGC3350FAG | — | LGC4350FAG | — |
| 400 | LGC3400FAG | LGC3400AAG | LGC4400FAG | LGC4400AAG |
| 500 | LGC3500FAG | LGC3500AAG | LGC4500FAG | LGC4500AAG |
| 600 | LGC3600FAG | — | LGC4600FAG | — |
| 630 ④ | — | LGC3630AAG | — | LGC4630AAG |

LG-Frame



LG-Frame—630 Amperes (600 Amperes UL, CSA), Current Limiting Per UL 489
IC Rating: 150 kAIC at 415 and 480 Vac ①

| Ampere Rating | Three-Pole ② | | Four-Pole (0%) ③ | |
|---------------|--|--|--|--|
| | Fixed Thermal, Adjustable Magnetic Catalog Number | Adjustable Thermal, Adjustable Magnetic ④⑤ Catalog Number | Fixed Thermal, Adjustable Magnetic Catalog Number | Adjustable Thermal, Adjustable Magnetic ④⑤ Catalog Number |
| 250 | LGU3250FAG | LGU3250AAG | LGU4250FAG | LGU4250AAG |
| 300 | LGU3300FAG | — | LGU4300FAG | — |
| 320 | — | LGU3320AAG | — | LGU4320AAG |
| 350 | LGU3350FAG | — | LGU4350FAG | — |
| 400 | LGU3400FAG | LGU3400AAG | LGU4400FAG | LGU4400AAG |
| 500 | LGU3500FAG | LGU3500AAG | LGU4500FAG | LGU4500AAG |
| 600 | LGU3600FAG | — | LGU4600FAG | — |
| 630 ④ | — | LGU3630AAG | — | LGU4630AAG |

LG-Frame



LG-Frame—630 Amperes (600 Amperes UL, CSA), Current Limiting Per UL 489
IC Rating: 200 kAIC at 415 and 480 Vac ①

| Ampere Rating | Three-Pole ② | | Four-Pole (0%) ③ | |
|---------------|--|--|--|--|
| | Fixed Thermal, Adjustable Magnetic Catalog Number | Adjustable Thermal, Adjustable Magnetic ④⑤ Catalog Number | Fixed Thermal, Adjustable Magnetic Catalog Number | Adjustable Thermal, Adjustable Magnetic ④⑤ Catalog Number |
| 250 | LGX3250FAG | LGX3250AAG | LGX4250FAG | LGX4250AAG |
| 300 | LGX3300FAG | — | LGX4300FAG | — |
| 320 | — | LGX3320AAG | — | LGX4320AAG |
| 350 | LGX3350FAG | — | LGX4350FAG | — |
| 400 | LGX3400FAG | LGX3400AAG | LGX4400FAG | LGX4400AAG |
| 500 | LGX3500FAG | LGX3500AAG | LGX4500FAG | LGX4500AAG |
| 600 | LGX3600FAG | — | LGX4600FAG | — |
| 630 ④ | — | LGX3630AAG | — | LGX4630AAG |

Notes

- ① Replace suffix "G" with "W" for no line and load terminals.
- ② For two-pole applications, use two outer poles.
- ③ Neutral protection is indicated by the fourth character: 4 = 0%, 7 = 100%, 8 = adjustable 0–60% and 9 = 0–100%. Neutral is on LH side.
- ④ 320/630 amperes is not a UL or CSA listed rating. 600 amperes is the maximum UL and CSA rating for the LG.
- ⑤ Adjustable thermal units are typically used in IEC markets and are not UL or CSA listed.

Molded Case Switches ^①

| Ampere Rating | Number of Poles | Catalog Number |
|------------------|-----------------|----------------|
| 400 | 3 ^② | LGK3400KSG |
| | 4 | LGK4400KSG |
| 630 ^③ | 3 ^② | LGK3630KSG |
| | 4 | LGK4630KSG |

Frame—IC Rating at 415/480 Volts

| Maximum Amperes ^③ | Three-Pole ^② Catalog Number | Four-Pole 0% Catalog Number |
|--|---|--------------------------------|
| 35/35 | | |
| 630 ^③ | LGE3630NN | LGE4630NN |
| | LGE3630NNWC ^④ | — |
| 50/50 | | |
| 630 ^③ | LGS3630NN | LGS4630NN |
| | LGS3630NNWC ^④ | — |
| 70/53 | | |
| 630 ^③ | LGH3630NN | LGH4630NN |
| | LGH3630NNWC ^④ | — |
| 100/100 Current Limiting Per UL 489 | | |
| 630 | LGC3630NN | LGC4630NN |
| 150/150 Current Limiting Per UL 489 | | |
| 630 | LGU3630NN | LGU4630NN |
| 200/200 Current Limiting | | |
| 630 | LGX3630NN | LGX4630NN |

Thermal-Magnetic Trip Unit

| Ampere Rating | Three-Pole ^② Fixed Thermal, Adjustable Magnetic | Adjustable Thermal, Adjustable Magnetic ^⑤ Catalog Number | Four-Pole (0%) ^⑥ Fixed Thermal, Adjustable Magnetic | Adjustable Thermal, Adjustable Magnetic ^⑤ Catalog Number |
|---------------|--|---|--|---|
| | Catalog Number | | Catalog Number | |
| 250 | LT3250FA | LT3250AA | LT4250FA | LT4250AA |
| 300 | LT3300FA | — | LT4300FA | — |
| 320 | — | LT3320AA | — | LT4320AA |
| 350 | LT3350FA | — | LT4350FA | — |
| 400 | LT3400FA | LT3400AA | LT4400FA | LT4400AA |
| 500 | LT3500FA | LT3500AA | LT4500FA | LT4500AA |
| 600 | LT3600FA | — | LT4600FA | — |
| 630 | — | LT3630AA | — | LT4630AA |

Notes

- ① Molded case switches will trip above 6300 amperes.
 ② For two-pole applications, use two outer poles.
 ③ 630 amperes is not a UL or CSA listed rating. 600 amperes is the maximum UL and CSA rating for the LG.
 ④ 100% rated frame.
 ⑤ Adjustable thermal, adjustable magnetic trip units are typically used in IEC markets and are not UL or CSA listed.
 ⑥ Neutral protection is indicated by the third character: 4 = 0%, 7 = 100%, 8 = adjustable 0–60% and 9 = 0–100%.

Digitrip 310+ Electronic Trip UnitsSee 310+ adjustability specifications on **Page V4-T2-200**.

2

| Ampere Rating | LS Catalog Number | LSI Catalog Number | LSG Catalog Number | LSIG Catalog Number | Neutral CT for LSG and LSIG ^① Catalog Number |
|--------------------------------|-------------------|--------------------|--------------------|---------------------|---|
| Three-Pole | | | | | |
| 250 | LT325033 | LT325032 | LT325035 | LT325036 | LGFACT250 |
| 400 | LT340033 | LT340032 | LT340035 | LT340036 | LGFACT400 |
| 600 | LT360033 | LT360032 | LT360035 | LT360036 | LGFACT600 |
| 630 ^② | LT363033 | LT363032 | LT363035 | LT363036 | LGFACT600 |
| Four-Pole ^{③④} | | | | | |
| 250 | LT425033 | LT425032 | LT425035 | LT425036 | — |
| 400 | LT440033 | LT440032 | LT440035 | LT440036 | — |
| 600 | LT460033 | LT460032 | LT460035 | LT460036 | — |
| 630 ^② | LT463033 | LT463032 | LT463035 | LT463036 | — |

310+ Electronic Trip Unit Accessories

| Description | Catalog Number |
|--|----------------|
| Electronic portable test kit | MTST230V |
| Trip unit tamper protection wire seal | 5108A03H01 |
| External neutral sensor (630 A) | LGFACT630 |
| External neutral sensor (600 A) | LGFACT600 |
| External neutral sensor (400 A) | LGFACT400 |
| External neutral sensor (250 A) | LGFACT250 |
| Breaker-mount cause-of-trip indication | TRIP-LED |
| Breaker-mount ammeter module | DIGIVIEW |
| Remote-mount ammeter module | DIGIVIEWR06 |

Notes

- ① Required for four-wire systems if neutral protection is desired.
- ② 630 amperes is not a UL or CSA listed rating. 600 amperes is the maximum UL and CSA listed rating for the LG.
- ③ Neutral protection: 4= 0%, 6 = 60%, 7 = 100%. Electronic trip unit neutral protection is not adjustable.
- ④ Four-pole LSG and LSIG trip units are only available with 0% neutral protection.

IC Rating at 415/480 V**Complete LG Breakers with Electronic Trip Unit (Includes Frame, Trip Unit, Standard Terminals and Mounting Hardware)**^①See 310+ adjustability specifications on **Page V4-T2-200**.**IC Rating: 35 kAIC at 415 and 480 Vac**

| Ampere Rating | LS Catalog Number | LSI Catalog Number | LSG Catalog Number | LSIG Catalog Number | Neutral CT for LSG and LSIG ^② Catalog Number |
|--------------------------------|-------------------------|--------------------------|--------------------------|---------------------------|--|
| Three-Pole ^③ | | | | | |
| 250 | LGE325033G | LGE325032G | LGE325035G | LGE325036G | LGFACT250 |
| 400 | LGE340033G | LGE340032G | LGE340035G | LGE340036G | LGFACT400 |
| 600 | LGE360033G | LGE360032G | LGE360035G | LGE360036G | LGFACT600 |
| 630 ^④ | LGE363033G | LGE363032G | LGE363035G | LGE363036G | LGFACT600 |
| Four-Pole ^⑤ | | | | | |
| 250 | LGE425033G | LGE425032G | LGE425035G | LGE425036G | — |
| 400 | LGE440033G | LGE440032G | LGE440035G | LGE440036G | — |
| 600 | LGE460033G | LGE460032G | LGE460035G | LGE460036G | — |
| 630 ^④ | LGE463033G | LGE463032G | LGE463035G | LGE463036G | — |

IC Rating: 50 kAIC at 415 and 480 Vac

| Ampere Rating | LS Catalog Number | LSI Catalog Number | LSG Catalog Number | LSIG Catalog Number | Neutral CT for LSG and LSIG ^② Catalog Number |
|--------------------------------|-------------------------|--------------------------|--------------------------|---------------------------|--|
| Three-Pole ^③ | | | | | |
| 250 | LGS325033G | LGS325032G | LGS325035G | LGS325036G | LGFACT250 |
| 400 | LGS340033G | LGS340032G | LGS340035G | LGS340036G | LGFACT400 |
| 600 | LGS360033G | LGS360032G | LGS360035G | LGS360036G | LGFACT600 |
| 630 ^④ | LGS363033G | LGS363032G | LGS363035G | LGS363036G | LGFACT600 |
| Four-Pole ^{⑤⑥} | | | | | |
| 250 | LGS425033G | LGS425032G | LGS425035G | LGS425036G | — |
| 400 | LGS440033G | LGS440032G | LGS440035G | LGS440036G | — |
| 600 | LGS460033G | LGS460032G | LGS460035G | LGS460036G | — |
| 630 ^④ | LGS463033G | LGS463032G | LGS463035G | LGS463036G | — |

IC Rating: 70 kAIC at 415 Vac, 65 kAIC at 480 Vac

| Ampere Rating | LS Catalog Number | LSI Catalog Number | LSG Catalog Number | LSIG Catalog Number | Neutral CT for LSG and LSIG ^② Catalog Number |
|--------------------------------|-------------------------|--------------------------|--------------------------|---------------------------|--|
| Three-Pole ^③ | | | | | |
| 250 | LGH325033G | LGH325032G | LGH325035G | LGH325036G | LGFACT250 |
| 400 | LGH340033G | LGH340032G | LGH340035G | LGH340036G | LGFACT400 |
| 600 | LGH360033G | LGH360032G | LGH360035G | LGH360036G | LGFACT600 |
| 630 ^④ | LGH363033G | LGH363032G | LGH363035G | LGH363036G | LGFACT600 |
| Four-Pole ^{⑤⑥} | | | | | |
| 250 | LGH425033G | LGH425032G | LGH425035G | LGH425036G | — |
| 400 | LGH440033G | LGH440032G | LGH440035G | LGH440036G | — |
| 600 | LGH460033G | LGH460032G | LGH460035G | LGH460036G | — |
| 630 ^④ | LGH463033G | LGH463032G | LGH463035G | LGH463036G | — |

Notes

- ① Replace suffix "G" with "W" for no line and load terminals.
- ② Required for four-wire systems if neutral protection is desired.
- ③ For two-pole applications, use two outer poles.
- ④ 630 amperes is not a UL or CSA listed rating. 600 amperes is the maximum UL and CSA listed rating for the LG.
- ⑤ Neutral protection: 4 = 0%, 6 = 60%, 7 = 100%. Electronic trip unit neutral protection is not adjustable.
- ⑥ Four-pole breakers with LSG and LSIG trip units are only available with 0% neutral protection.

IC Rating at 415/480 V**Complete LG Breakers with Electronic Trip Unit (Includes Frame, Trip Unit, Standard Terminals and Mounting Hardware)**^①See 310+ adjustability specifications on **Page V4-T2-200**.**IC Rating: 100 kAIC at 415 Vac and 480 Vac, Current Limiting Per UL 489**

| Ampere Rating | LS Catalog Number | LSI Catalog Number | LSG Catalog Number | LSIG Catalog Number | Neutral CT for LSG and LSIG ^② Catalog Number |
|--------------------------------|----------------------|-----------------------|-----------------------|------------------------|---|
| Three-Pole ^③ | | | | | |
| 250 | LGC325033G | LGC325032G | LGC325035G | LGC325036G | LGFACT250 |
| 400 | LGC340033G | LGC340032G | LGC340035G | LGC340036G | LGFACT400 |
| 600 | LGC360033G | LGC360032G | LGC360035G | LGC360036G | LGFACT600 |
| 630 ^④ | LGC363033G | LGC363032G | LGC363035G | LGC363036G | LGFACT600 |
| Four-Pole ^{⑤⑥} | | | | | |
| 250 | LGC425033G | LGC425032G | LGC425035G | LGC425036G | — |
| 400 | LGC440033G | LGC440032G | LGC440035G | LGC440036G | — |
| 600 | LGC460033G | LGC460032G | LGC460035G | LGC460036G | — |
| 630 ^④ | LGC463033G | LGC463032G | LGC463035G | LGC463036G | — |

IC Rating: 150 kAIC at 415 Vac and 480 Vac, Current Limiting Per UL 489

| Ampere Rating | LS Catalog Number | LSI Catalog Number | LSG Catalog Number | LSIG Catalog Number | Neutral CT for LSG and LSIG ^② Catalog Number |
|--------------------------------|----------------------|-----------------------|-----------------------|------------------------|---|
| Three-Pole ^③ | | | | | |
| 250 | LGU325033G | LGU325032G | LGU325035G | LGU325036G | LGFACT250 |
| 400 | LGU340033G | LGU340032G | LGU340035G | LGU340036G | LGFACT400 |
| 600 | LGU360033G | LGU360032G | LGU360035G | LGU360036G | LGFACT600 |
| 630 ^④ | LGU363033G | LGU363032G | LGU363035G | LGU363036G | LGFACT600 |
| Four-Pole ^⑤ | | | | | |
| 250 | LGU425033G | LGU425032G | LGU425035G | LGU425036G | — |
| 400 | LGU440033G | LGU440032G | LGU440035G | LGU440036G | — |
| 600 | LGU460033G | LGU460032G | LGU460035G | LGU460036G | — |
| 630 ^④ | LGU463033G | LGU463032G | LGU463035G | LGU463036G | — |

IC Rating: 200 kAIC at 415 Vac and 480 Vac, Current Limiting Per UL 489

| Ampere Rating | LS Catalog Number | LSI Catalog Number | LSG Catalog Number | LSIG Catalog Number | Neutral CT for LSG and LSIG ^② Catalog Number |
|--------------------------------|----------------------|-----------------------|-----------------------|------------------------|---|
| Three-Pole ^③ | | | | | |
| 250 | LGX325033G | LGX325032G | LGX325035G | LGX325036G | LGFACT250 |
| 400 | LGX340033G | LGX340032G | LGX340035G | LGX340036G | LGFACT400 |
| 600 | LGX360033G | LGX360032G | LGX360035G | LGX360036G | LGFACT600 |
| 630 ^④ | LGX363033G | LGX363032G | LGX363035G | LGX363036G | LGFACT600 |
| Four-Pole ^⑤ | | | | | |
| 250 | LGX425033G | LGX425032G | LGX425035G | LGX425036G | — |
| 400 | LGX440033G | LGX440032G | LGX440035G | LGX440036G | — |
| 600 | LGX460033G | LGX460032G | LGX460035G | LGX460036G | — |
| 630 ^④ | LGX463033G | LGX463032G | LGX463035G | LGX463036G | — |

Notes

- ① Replace suffix "G" with "W" for no line and load terminals.
- ② Required for four-wire systems if neutral protection is desired.
- ③ For two-pole applications, use two outer poles.
- ④ 630 amperes is not a UL or CSA listed rating. 600 amperes is the maximum UL and CSA listed rating for the LG.
- ⑤ Neutral protection: 4= 0%, 6 = 60%, 7 = 100%. Electronic trip unit neutral protection is not adjustable.
- ⑥ Four-pole breakers with LSG and LSIG trip units are only available with 0% neutral protection.

LG 100% Rated Circuit Breaker—Thermal-Magnetic Trip Unit**Complete Breaker (Includes Frame, Trip Unit, Standard Terminals and Mounting Hardware)****LG-Frame****LG-Frame—630 Amperes (600 Amperes UL, CSA) IC Rating: 35 kAIC at 415 and 480 Vac ^①**

| Ampere Rating | Three-Pole ^② Fixed Thermal, Adjustable Magnetic Catalog Number |
|------------------|--|
| 250 | LGE3250FAGC |
| 300 | LGE3300FAGC |
| 320 | — |
| 350 | LGE3350FAGC |
| 400 | LGE3400FAGC |
| 500 | LGE3500FAGC |
| 600 | LGE3600FAGC |
| 630 ^③ | — |

LG-Frame—630 Amperes (600 Amperes UL, CSA) IC Rating: 50 kAIC at 415 and 480 Vac ^①

| Ampere Rating | Three-Pole ^② Fixed Thermal, Adjustable Magnetic Catalog Number |
|------------------|--|
| 250 | LGS3250FAGC |
| 300 | LGS3300FAGC |
| 320 | — |
| 350 | LGS3350FAGC |
| 400 | LGS3400FAGC |
| 500 | LGS3500FAGC |
| 600 | LGS3600FAGC |
| 630 ^③ | — |

LG-Frame—630 Amperes (600 Amperes UL, CSA) IC Rating: 70 kAIC at 415, 65 kAIC at 480 Vac ^①

| Ampere Rating | Three-Pole ^② Fixed Thermal, Adjustable Magnetic Catalog Number |
|------------------|--|
| 250 | LGH3250FAGC |
| 300 | LGH3300FAGC |
| 320 | — |
| 350 | LGH3350FAGC |
| 400 | LGH3400FAGC |
| 500 | LGH3500FAGC |
| 600 | LGH3600FAGC |
| 630 ^③ | — |

Notes

- ^① Replace suffix "G" with "W" for no line and load terminals.
- ^② For two-pole applications, use two outer poles.
- ^③ 630 amperes is not a UL or CSA listed rating. 600 amperes is the maximum UL and CSA listed rating for the LG.

LG 100% Rated Electronic Breaker Per UL 489See 310+ adjustability specifications on **Page V4-T2-200**.

2

IEC/UL/CSA 35 kAIC at 415 and 480 Vac

| Ampere Rating | LS Catalog Number | LSI Catalog Number | LSG Catalog Number | LSIG Catalog Number | Neutral CT for LSG and LSIG ^① Catalog Number |
|------------------|-------------------------|--------------------------|--------------------------|---------------------------|--|
| 250 | LGE325033GC | LGE325032GC | LGE325035GC | LGE325036GC | LGFACT250 |
| 400 | LGE340033GC | LGE340032GC | LGE340035GC | LGE340036GC | LGFACT400 |
| 600 | LGE360033GC | LGE360032GC | LGE360035GC | LGE360036GC | LGFACT600 |
| 630 ^② | LGE363033GC | LGE363032GC | LGE363035GC | LGE363036GC | LGFACT600 |

IEC/UL/CSA 50 kAIC at 415 and 480 Vac

| Ampere Rating | LS Catalog Number | LSI Catalog Number | LSG Catalog Number | LSIG Catalog Number | Neutral CT for LSG and LSIG ^① Catalog Number |
|------------------|-------------------------|--------------------------|--------------------------|---------------------------|--|
| 250 | LGS325033GC | LGS325032GC | LGS325035GC | LGS325036GC | LGFACT250 |
| 400 | LGS340033GC | LGS340032GC | LGS340035GC | LGS340036GC | LGFACT400 |
| 600 | LGS360033GC | LGS360032GC | LGS360035GC | LGS360036GC | LGFACT600 |
| 630 ^② | LGS363033GC | LGS363032GC | LGS363035GC | LGS363036GC | LGFACT600 |

IEC/UL/CSA 70 kAIC at 415 and 480 Vac

| Ampere Rating | LS Catalog Number | LSI Catalog Number | LSG Catalog Number | LSIG Catalog Number | Neutral CT for LSG and LSIG ^① Catalog Number |
|------------------|-------------------------|--------------------------|--------------------------|---------------------------|--|
| 250 | LGH325033GC | LGH325032GC | LGH325035GC | LGH325036GC | LGFACT250 |
| 400 | LGH340033GC | LGH340032GC | LGH340035GC | LGH340036GC | LGFACT400 |
| 600 | LGH360033GC | LGH360032GC | LGH360035GC | LGH360036GC | LGFACT600 |
| 630 ^② | LGH363033GC | LGH363032GC | LGH363035GC | LGH363036GC | LGFACT600 |

Notes^① Required for four-wire systems if neutral protection is required.^② 630 amperes is not a UL or CSA listed rating. 600 amperes is the maximum UL and CSA listed rating for the LG.

LG Electronic Breaker with Arcflash Reduction Maintenance System

See 310+ adjustability specifications on **Page V4-T2-200**.

Series G LG circuit breakers are available with the Arcflash Reduction Maintenance System™ integrated into the electronic trip units helping to improve safety by providing a

simple and reliable method to reduce fault clearing time. The Arcflash Reduction Maintenance System unit utilizes a separate analog trip circuit that provides faster

interruption times than the standard (digital) “instantaneous” protection. Work locations downstream of a circuit breaker with an Arcflash Reduction

Maintenance System unit can have a significantly lower incident energy level, reducing arc flash potential to the system.

LG with Arcflash Reduction Maintenance System**LG Electronic Breaker with Arcflash Reduction Maintenance System**

| Ampere Rating | ALSI Catalog Number | ALSIG Catalog Number | Neutral CT for LSG and LSIG ① Catalog Number |
|--|---------------------|----------------------|--|
| IEC/UL/CSA 35 kAIC at 415 and 480 Vac | | | |
| 250 | LGE325038G | LGE365039G | LGFACT250 |
| 400 | LGE340038G | LGE340039G | LGFACT400 |
| 600 | LGE360038G | LGE360039G | LGFACT600 |
| 630 | LGE363038G | LGE363039G | LGFACT600 |
| IEC/UL/CSA 50 kAIC at 415 and 480 Vac | | | |
| 250 | LGS325038G | LGS365039G | LGFACT250 |
| 400 | LGS340038G | LGS340039G | LGFACT400 |
| 600 | LGS360038G | LGS360039G | LGFACT600 |
| 630 | LGS363038G | LGS363039G | LGFACT600 |
| IEC/UL/CSA 70 kAIC at 415 and 480 Vac | | | |
| 250 | LGH325038G | LGH365039G | LGFACT250 |
| 400 | LGH340038G | LGH340039G | LGFACT400 |
| 600 | LGH360038G | LGH360039G | LGFACT600 |
| 630 | LGH363038G | LGH363039G | LGFACT600 |
| IEC/UL/CSA 100 kAIC at 415 and 480 Vac, Current Limiting Per UL 489 | | | |
| 250 | LGC325038G | LGC365039G | LGFACT250 |
| 400 | LGC340038G | LGC340039G | LGFACT400 |
| 600 | LGC360038G | LGC360039G | LGFACT600 |
| 630 | LGC363038G | LGC363039G | LGFACT600 |
| IEC/UL/CSA 150 kAIC at 415 and 480 Vac, Current Limiting Per UL 489 | | | |
| 250 | LGU325038G | LGU365039G | LGFACT250 |
| 400 | LGU340038G | LGU340039G | LGFACT400 |
| 600 | LGU360038G | LGU360039G | LGFACT600 |
| 630 | LGU363038G | LGU363039G | LGFACT600 |
| IEC/UL/CSA 200 kAIC at 415 and 480 Vac, Current Limiting Per UL 489 | | | |
| 250 | LGX325038G | LGX365039G | LGFACT250 |
| 400 | LGX340038G | LGX340039G | LGFACT400 |
| 600 | LGX360038G | LGX360039G | LGFACT600 |
| 630 | LGX363038G | LGX363039G | LGFACT600 |

LG Electronic Trip Units with Arcflash Reduction Maintenance System

| Ampere Rating | ALSI Catalog Number | ALSIG Catalog Number | Neutral CT for LSG and LSIG ① Catalog Number |
|---------------|---------------------|----------------------|--|
| 250 | LT325038 | LT325039 | LGFACT250 |
| 400 | LT340038 | LT340039 | LGFACT400 |
| 600 | LT360038 | LT360039 | LGFACT600 |
| 630 | LT363038 | LT363039 | LGFACT600 |

Note

① Required for four-wire systems if neutral protection is required.

Accessories Selection Guide and Ordering Information

2

Line and Load Terminals

| Maximum Breaker Amperes | Terminal Body Material | Wire Type | AWG Wire Range/ Number of Conductors | Metric Wire Range (mm ²) | Number of Terminals Included | Catalog Number |
|-------------------------|------------------------|-----------|---|--------------------------------------|------------------------------|------------------------|
| 400 | Aluminum | Cu/Al | 500–750 (1) | 240–380 (1) | 3 | 3TA631LK ^① |
| 400 | Aluminum | Cu/Al | 500–750 (1) | 240–380 (1) | 4 | 4TA631LK ^① |
| 400 | Copper | Cu | 500–750 (1) | 240–380 (1) | 3 | 3T631LK ^① |
| 400 | Copper | Cu | 500–750 (1) | 240–380 (1) | 4 | 4T631LK ^① |
| 630 | Aluminum | Cu/Al | 2–500 (2) | 35–240 (2) | 1 | TA632L |
| 630 | Aluminum | Cu/Al | 2–500 (2) | 35–240 (2) | 3 | 3TA632LK ^{①②} |
| 630 | Aluminum | Cu/Al | 2–500 (2) | 35–240 (2) | 4 | 4TA632LK ^{①②} |
| 630 | Copper | Cu | 2–500 (2) | 35–240 (2) | 3 | 3T632LK ^① |
| 630 | Copper | Cu | 2–500 (2) | 35–240 (2) | 4 | 4T632LK ^① |
| 400 | Aluminum | Cu/Al | 3–500 (1) | 35–240 (1) | 1 | TA350LK ^② |
| 400 | Copper | Cu | 3–500 (1) | 35–240 (1) | 1 | T350LK |

Base Mounting Hardware

Base mounting hardware is included with a circuit breaker or molded case switch. (Included with breaker.) If required separately, order 66A4560G03.

Terminal Covers

| Description | Catalog Number |
|--|----------------|
| Three-pole terminal cover ^③ | LTS3K |
| Four-pole terminal cover ^③ | LTS4K |

End Cap Kits (MIO Metric Nuts)

| Number of Poles | Catalog Number |
|-----------------|----------------|
| 3 | L3RTWK |
| 4 | L4RTWK |

Control Wire Terminal Kit

| Description | Terminal Body Type | Catalog Number |
|----------------|--------------------|----------------|
| Three-pole kit | Aluminum | 3TA632LKW |
| Four-pole kit | Aluminum | 4TA632LKW |
| Three-pole kit | Copper | 3T632LKW |
| Four-pole kit | Copper | 4T632LKW |

Terminal Spreaders

| Number of Poles | Catalog Number |
|-----------------|----------------|
| 3 | LGTEW3 |
| 4 | LGTEW4 |

Terminal Extensions

| Number of Poles | Catalog Number |
|-----------------|----------------|
| 3 | LGTES3 |
| 4 | LGTES4 |

Handle Extension

| Description | Catalog Number |
|------------------|----------------|
| Handle extension | HEXLG |

Interphase Barrier

| Package of 2 | Catalog Number |
|--------------------|----------------|
| Interphase barrier | IPB3 |

Rear Fed Terminals

| Maximum Amperes | Wire Size Range AWG Cu | Catalog Number |
|-----------------|------------------------|----------------|
| 400 | 2–500 kcmil | TA350LKRF |
| 400 | 2–500 kcmil | 3TA350LKRF |
| 630 | 2–500 (2) kcmil | TA632LKRF |
| 630 | 2–500 (2) kcmil | 3TA632LKRF |

Rear fed terminals allow the cable to connect to the breaker from the back instead of the top. Terminal shields or interphase barriers are included with each rear fed terminal kit (depending on frame size). When catalog number starts with a 3, it indicates a kit with three terminals in each kit. Catalog number beginning with a TA indicates one terminal.

Multiwire Connectors

Field-installed multiwire connectors for the load side (OFF) end terminals are used to distribute the load from the circuit breaker to multiple devices without the use of separate distribution terminal blocks.

Multiwire lug kits include terminal shield, mounting hardware, insulators and tin-plated aluminum connectors to replace three mechanical load lugs. UL listed as used on the load side (OFF) end.

LG-Frame Multiwire Connectors Ordering Information (Package of 3)

| Maximum Amperes | Wires per Terminal | Wire Size Range AWG Cu | Kit Catalog Number |
|-----------------|--------------------|------------------------|--------------------|
| 600 | 6 | 14–1/0 | 3TA600L6K |

Notes

- ① Includes LTS3K (three-pole) or LTS4K (four-pole) terminal covers.
- ② Standard terminal included with complete breaker.
- ③ Included in TA631L, T631L, TA632L kits listed above.

StrandAble Multiwire Terminals

Field-installed multiwire terminals are UL listed for nearly any class of rigid or fine strand wire without the use of additional fittings.

Used on the load side of circuit breaker to distribute the load to multiple devices without the use of a power distribution block.

StrandAble multiwire terminals are available in three-pole kits that include the necessary hardware and shielding.

3TA600L6SWK

LG Frame StrandAble Multiwire Terminals (Three-Pole Kits)

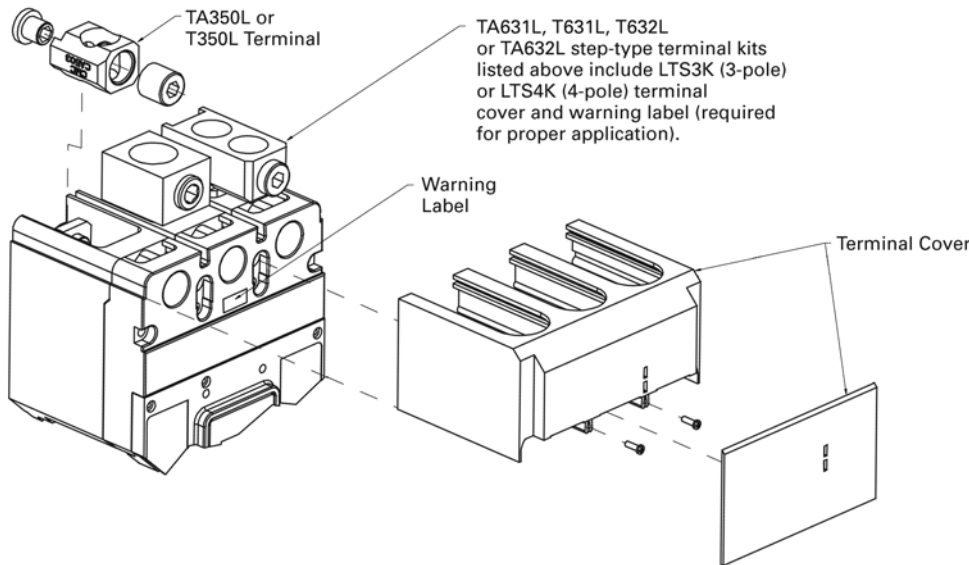


| Maximum Amperage | Wire Class | Wire Range | Shield Included | Catalog Number |
|------------------|------------------|------------|--------------------|---------------------|
| 600 | B and C | (6) 12–2/0 | Interphase barrier | 3TA600L6SWKI |
| 600 | D, G, H, I, K, M | (6) 8–1/0 | Interphase barrier | |
| 600 | B and C | (6) 12–2/0 | Terminal shield | 3TA600L6SWKS |
| 600 | D, G, H, I, K, M | (6) 8–1/0 | Terminal shield | |

Terminals and Terminal Cover

Terminals and Terminal Cover for the LG Breaker—Includes LTS3K (Three-Pole) or LTS4K (Four-Pole) Terminal Covers

Note: Extended terminal covers add 2.13 inches (54.0 mm) to breaker length.



Accessories

2

Base Mounting Hardware

Base mounting hardware is included with a circuit breaker or molded case switch. (Included with breaker.) If required separately, order 66A4560G03.

Allowable Accessory Combinations

Different combinations of accessories can be supplied, depending on the types of accessories and the number of poles in the circuit breaker.

LG-Frame Accessories

| Description | Reference Page | Three-Pole | | | Four-Pole | | | Neu. |
|--|----------------|------------|--------|-------|-----------|--------|-------|------|
| | | Left | Center | Right | Left | Center | Right | |
| Internal Accessories (Only One Internal Accessory Per Pole) | | | | | | | | |
| Alarm lockout (Make/Break) | V4-T2-247 | — | — | ■ | — | — | ■ | — |
| Auxiliary switch (1A, 1B) | V4-T2-247 | — | — | ■ | — | — | ■ | — |
| Auxiliary switch (2A, 2B) | V4-T2-247 | — | — | ■ | — | — | ■ | — |
| Auxiliary switch and alarm switch combination | V4-T2-247 | — | — | ■ | — | — | ■ | — |
| Shunt trip—standard | V4-T2-247 | ■ | — | — | ■ | — | — | — |
| Undervoltage release mechanism | V4-T2-248 | ■ | — | — | ■ | — | — | — |
| External Accessories | | | | | | | | |
| End cap kit | V4-T2-196 | ● | — | — | ● | — | — | — |
| Handle extension | V4-T2-196 | ● | — | — | ● | — | — | — |
| Terminal cover | V4-T2-196 | ● | — | — | ● | — | — | — |
| Rear fed terminals | V4-T2-196 | ● | ● | ● | ● | ● | ● | ● |
| Multewire connectors | V4-T2-196 | ● | ● | ● | ● | ● | ● | ● |
| Padlockable handle block | V4-T2-245 | — | ■ | — | — | ■ | — | — |
| Padlockable handle lock hasp | V4-T2-245 | □ | — | □ | □ | — | □ | — |
| Key interlock kit | V4-T2-245 | □ | — | □ | □ | — | □ | — |
| Sliding bar interlock—requires two breakers | V4-T2-245 | ● | ● | ● | ● | ● | ● | ● |
| Electrical operator | V4-T2-245 | ● | ● | ● | ● | ● | ● | ● |
| Plug-in adapters | V4-T2-245 | ● | ● | ● | ● | ● | ● | ● |
| Rear connecting studs | V4-T2-245 | ● | ● | ● | ● | ● | ● | ● |
| Handle mechanisms | V4-T2-527 | ● | ● | ● | ● | ● | ● | ● |
| Earth leakage/ground fault protector | V4-T2-230 | ● | ● | ● | ● | ● | ● | ● |
| Drawout cassette | V4-T2-253 | ● | ● | ● | ● | ● | ● | ● |
| Digitrip 310+ test kit | V4-T2-190 | ● | ● | ● | ● | ● | ● | ● |
| Ammeter/cause of trip display | V4-T2-244 | ● | ● | ● | ● | ● | ● | ● |
| Cause of trip LED module | V4-T2-244 | ● | ● | ● | ● | ● | ● | ● |
| Modifications (Refer to Eaton) | | | | | | | | |
| Moisture fungus treatment | V4-T2-243 | ● | ● | ● | ● | ● | ● | ● |
| Freeze-tested circuit breakers | — | ● | ● | ● | ● | ● | ● | ● |
| Marine/naval application, UL 489 Supplement SA and SB | ① | ● | ● | ● | ● | ● | ● | ● |

Legend

- Applicable in indicated pole position
- May be mounted on left or right pole—not both
- Accessory available/modification available

Note

① Contact Eaton.

Technical Data and Specifications

Interrupting Capacity Ratings

UL 489/IEC 60947-2 Interrupting Capacity Ratings

| Circuit Breaker Type | Number of Poles | Interrupting Capacity (kA rms Symmetrical Amperes) (kA) | | | | | | | | Volts DC ^① | |
|----------------------|-----------------|---|-----|---------|-----|-----|-----|-----|----|-----------------------|-----|
| | | Volts AC (50/60 Hz) | | | | | | | | 250 ^{②③} | |
| | | 240–240 | | 380–415 | | 480 | 600 | 690 | | Icu | Ics |
| LGE630 | 3, 4 | 65 | 65 | 35 | 35 | 35 | 18 | 12 | 6 | 22 | 22 |
| LGS630 | 3, 4 | 85 | 85 | 50 | 50 | 50 | 25 | 20 | 10 | 22 | 22 |
| LGH630 | 3, 4 | 100 | 100 | 70 | 70 | 65 | 35 | 25 | 13 | 42 | 42 |
| LGC630 ^④ | 3, 4 | 200 | 200 | 100 | 100 | 100 | 50 | 30 | 15 | 42 | 42 |
| LGU630 ^④ | 3, 4 | 200 | 200 | 150 | 150 | 150 | 65 | 35 | 18 | 50 | 50 |
| LGX630 ^④ | 3, 4 | 200 ^⑤ | 200 | 200 | 200 | 200 | 65 | 35 | 18 | 50 | 50 |

UL 489 Current Limiting Data

| Frame | Circuit | I _p (kA) | I ² T (10 ⁶ A ² S) |
|-------|--------------|---------------------|---|
| LGC | 240 V/200 kA | 56.4 | 5.873 |
| LGC | 480 V/100 kA | 56.4 | 5.873 |
| LGC | 600 V/50 kA | 56.4 | 6.690 |
| LGU | 240 V/200 kA | 77.7 | 7.320 |
| LGU | 480 V/150 kA | 77.7 | 7.320 |
| LGU | 600 V/65 kA | 50.6 | 6.690 |
| LGX | 240 V/200 kA | 77.7 | 7.320 |
| LGX | 480 V/200 kA | 77.7 | 7.320 |
| LGX | 600 V/65 kA | 50.6 | 6.690 |

LG 310+ Specifications

| Description | Specification |
|---|---------------------------------|
| Trip Unit Type | Digitrip RMS 310+ |
| Breaker Type | |
| Frame designation | LG |
| Frames available | 250 A, 400 A, 600 A |
| Continuous current range (A) | 100–600 A |
| Ground fault pickup (A) | 50–600 A |
| Interrupting capacities at 480 Vac (kAIC) | 35, 65, 100, 150, 200 |
| 100% rated | Yes |
| Protection | |
| Ordering options | LS, LSI, LSG, LSIG, ALSI, ALSIG |
| Arcflash reduction maintenance system (or maintenance mode) | Yes |
| Interchangeable trip unit | Yes |
| High load alarm (suffix B20) ^⑥ | Yes |
| Ground fault alarm with trip (suffix B21) ^⑥ | Yes |
| Ground fault alarm, no trip (suffix B22) ^⑥ | Yes |
| Zone selective interlocking (suffix ZG) | LSI, LSIG, ALSI, ALSIG |
| Cause of trip indication | Yes |
| Thru-cover accessories | Yes |

Notes

- ① DC rating apply to substantially non-inductive circuits.
- ② Two-pole circuit breaker, or two poles of three-pole circuits.
- ③ Time constant is 3 milliseconds minimum at 10 kA and 8 milliseconds minimum at –kA.
- ④ Current limiting per UL 489.
- ⑤ IEC rating is 300 kA at 240 Vac.
- ⑥ B2x suffixes cannot be combined with B2x suffixes.

LG 310+ Adjustability Specifications

2

| 310+ Settings | | LG Frame | | |
|---|--|--------------------------------------|--------------------------------------|--------------------------------------|
| | | 250 A | 400 A | 600 A |
| I_r = continuous current or long delay pickup (amperes) (All 310+) | I_r | | | |
| | A | 100 | 160 | 250 |
| | B | 125 | 200 | 300 |
| | C | 150 | 225 | 315 |
| | D | 160 | 250 | 350 |
| | E | 175 | 300 | 400 |
| | F | 200 | 315 | 450 |
| | G | 225 | 350 | 500 |
| | H (= I_n) | 250 | 400 | 600 |
| t_r = long delay time (seconds) (All 310+) | Position 1 | 2 | 2 | 2 |
| | Position 2 | 4 | 4 | 4 |
| | Position 3 | 7 | 7 | 7 |
| | Position 4 | 10 | 10 | 10 |
| | Position 5 | 12 | 12 | 12 |
| | Position 6 | 15 | 15 | 15 |
| | Position 7 | 20 | 20 | 20 |
| | Position 8 | 24 | 24 | 24 |
| | I_{sd} (x I_r) = short delay pickup (All 310+) | Position 1 | 2x | 2x |
| Position 2 | | 3x | 3x | 3x |
| Position 3 | | 4x | 4x | 4x |
| Position 4 | | 5x | 5x | 5x |
| Position 5 | | 6x | 6x | 6x |
| Position 6 | | 7x | 7x | 7x |
| Position 7 | | 8x | 8x | 8x |
| Position 8 | | 10x | 10x | 10x |
| Position 9 | | 12x | 12x | 12x |
| t_{sd} = short delay time I^2t (milliseconds) (LS, LSG) | Fixed | 67 at10x | 67 at10x | 67 at10x |
| t_{sd} = short delay time flat (milliseconds) ① (LSI, LSIG, ALSI, ALSIG) | Position 1 | Inst | Inst | Inst |
| | Position 2 | 120 | 120 | 120 |
| | Position 3 | 300 | 300 | 300 |
| I_g = ground fault pickup (amperes) (LSG, LSIG, ALSIG) | Position 1 | 50 | 80 | 120 |
| | Position 2 | 75 | 120 | 180 |
| | Position 3 | 100 | 160 | 240 |
| | Position 4 | 150 | 240 | 360 |
| | Position 5 | 200 | 320 | 480 |
| | Position 6 | 250 | 400 | 600 |
| t_g = ground fault delay time (milliseconds) (LSG, LSIG, ALSIG) | Position 1 | Inst | Inst | Inst |
| | Position 2 | 120 | 120 | 120 |
| | Position 3 | 300 | 300 | 300 |
| Independently Adjustable Instantaneous (I_i) setting (ALSI, ALSIG) | Yes | 2.5x, 4x, 6x, 7x, 8x, 10x, 12x | 2.5x, 4x, 6x, 7x, 8x, 10x, 12x | 2.5x, 4x, 6x, 7x, 8x, 10x, 12x |
| Maintenance Mode (remote) pickup ($2.5 \times I_n$) ② (ALSI, ALSIG) | Fixed | 2.5x | | |

Notes

① 50 ms for ALSI and ALSIG trip units.

② Maintenance Mode is enabled remotely using a 24 Vdc circuit.

Dimensions and Weights

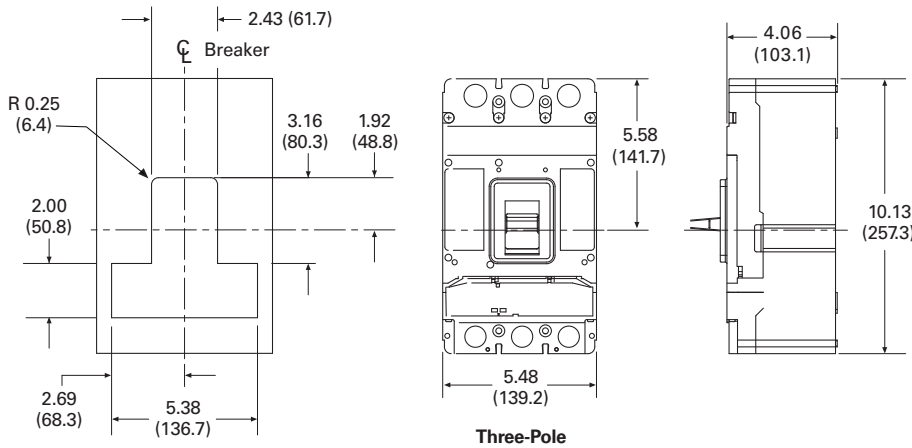
Approximate Dimensions in Inches (mm)

LG-Frame

| Number of Poles | Width | Height | Depth |
|-----------------|--------------|---------------|--------------|
| 2, 3 | 5.48 (139.2) | 10.13 (257.3) | 4.09 (103.9) |
| 4 | 7.22 (183.4) | 10.13 (257.3) | 4.09 (103.9) |

LG-Frame

Note: TA631L, T631L, T632L, TA632L terminals add 1.19 inches (30.2 mm) to line or load side of LG. LTS3K or LTS4K terminal covers add 2.13 inches (54.1 mm) to line or load side of LG.



Approximate Shipping Weight in Lbs (kg)

LG-Frame

| Breaker Type | Two- and Three-Pole | Four-Pole |
|------------------------------|---------------------|-----------|
| LGE, LGS, LGH, LGC, LGU, LGX | 16 (7.3) | 20 (9.1) |

2.3

Molded Case Circuit Breakers

Series G

LG-Frame With Earth Leakage Module

2

